

Q98 Series

Product Specifications

ANZ#: Z230, August 11, 2015

High Power LED Driver	
Total Power	100 Watts max.
Input Voltages	110 ~ 277VAC
Number of Outputs	One

SPECIAL FEATURES

- Universal Input range from 100VAC~304VAC, 50/60Hz
- Versatile mechanical design maximizes design flexibility.
- Size: 154 x 64 x 40 mm (LxWxH)
- Fully potted, suitable for dry and damp location applications
- 3 in 1 Dimming Control plus “ENABLE” input
- UL8750 and CE compliant
- Wide selection of pre-adjusted C/C outputs (factory setting)

ENVIRONMENTAL

Operating temperature:	-40 to +50 ° C, Tc: 85 ° C
Storage temperature:	-40 to +85 ° C
Humidity (Non-Condensing):	5% to 95%
Cooling:	Convection
Vibration Frequency:	5 to 50 Hz
MTBF:	>100,000 Hours at full load and 25°C ambient conditions (TELC3 – Telcordia SR-332, Issue 3)



Picture shown above is not to scale

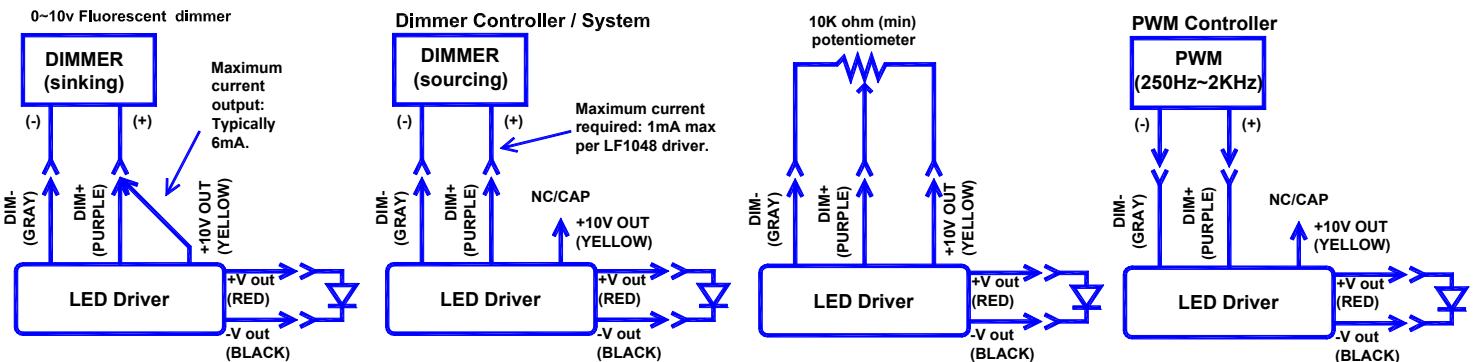
SPECIFICATIONS :

Input Range : 100 ~ 277VAC	Frequency : 47 to 63Hz
Power Factor: > 0.92 at 65% to 100% load, 115VAC or 230VAC	Inrush Current : 10.0 Amps max. at 230VAC, cold start 25°C
Input Current : 1.0 Amps max. at 115VAC	Efficiency : 87% Typical
Output Current Regulation : ±5%	Maximum Power : 100 W
Protection : OCP, SCP, OLP – Auto Recovery	Leakage Current : 50uA typ.
Control : 0-10V dimmer; PWM (250-3KHz); Potentiometer; Enable	Dimension: 154 x 64 x 40 mm (LxWxH)
Hold up time: Half cycle min. at 120VAC and 80% rated load	Regulation Compliance: UL8750 or EN61347, EN55015, EN61547

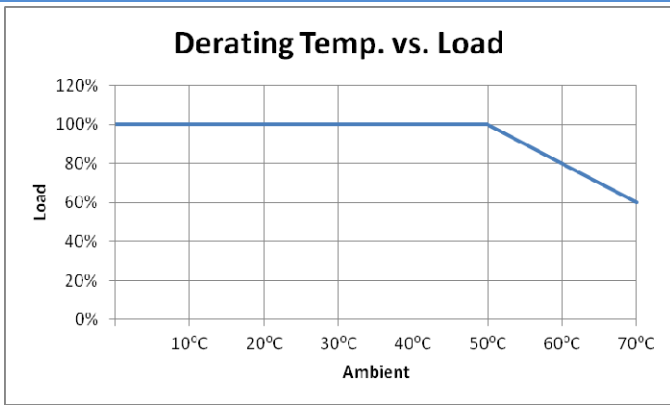
MODEL SELECTION :

Model Number	Constant Current Mode				Remarks
	Current Range A (mA)	Nominal A (mA)	V (DC)	Max. W	
Q98-U24-Cyyyy-XM	5000 ~ 2710	4170	15 ~ 27	100	
Q98-U36-Cyyyy-XM	3340 ~ 1810	2780	21 ~ 39	100	
Q98-U48-Cyyyy-XM	2500 ~ 1360	2090	28 ~ 51	100	
Q98-U54-Cyyyy-XM	2230 ~ 1200	1860	33 ~ 57	100	
Q98-U88-Cyyyy-XM	1370 ~ 750	1140	71 ~ 110	100	Non Class 2

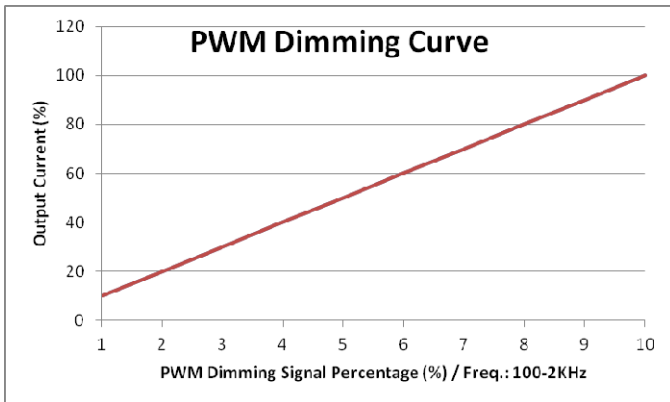
Dimming Wiring Diagram



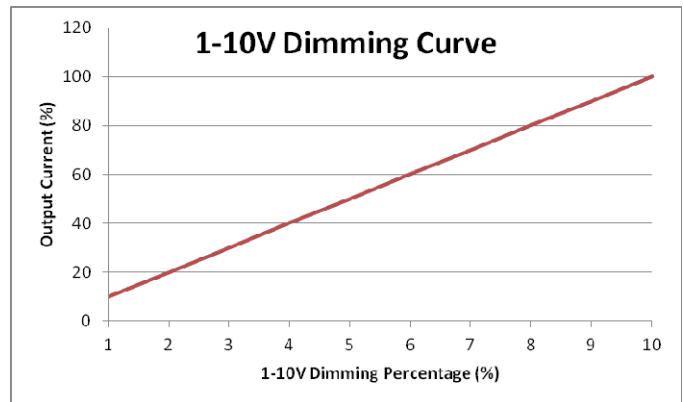
De-rating Temp. vs. Load



PWM Dimming Curve



1-10V Dimming Curve



MECHANICAL SPECIFICATION : Q98-UXX-CYYYY-XM

